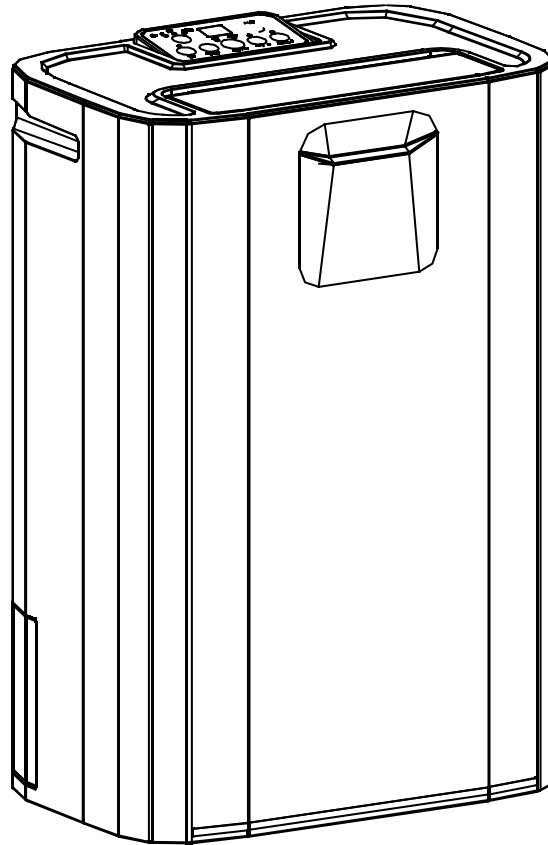


Adsorption Dehumidifier WDH-DS3



Dear Customer,

You have chosen a high-quality product. To ensure that you get a lot of enjoyment from this product, here are a few more tips:

In case of any problems:

We hope that the unit meets your expectations! If, despite the greatest possible care, there should ever be cause for complaint, please contact us briefly, as we are very concerned about your satisfaction and would like to clear up any misunderstanding.

The first run:

As the internal piping comes into contact with moisture for the first time, it can take up to approx. 3 hours for the first liquid to accumulate in the collection container, depending on the room humidity.

In addition, a slight plastic smell may be perceived during the first hours of operation. This is normal and not a cause for concern.

Room humidity and dehumidification performance:

If you want to check the room humidity and the associated dehumidification performance with your own humidity meter (hygrometer), please avoid attaching this humidity meter to a wall, as this will falsify the true humidity content of the room air. See also the explanations under Troubleshooting !!!

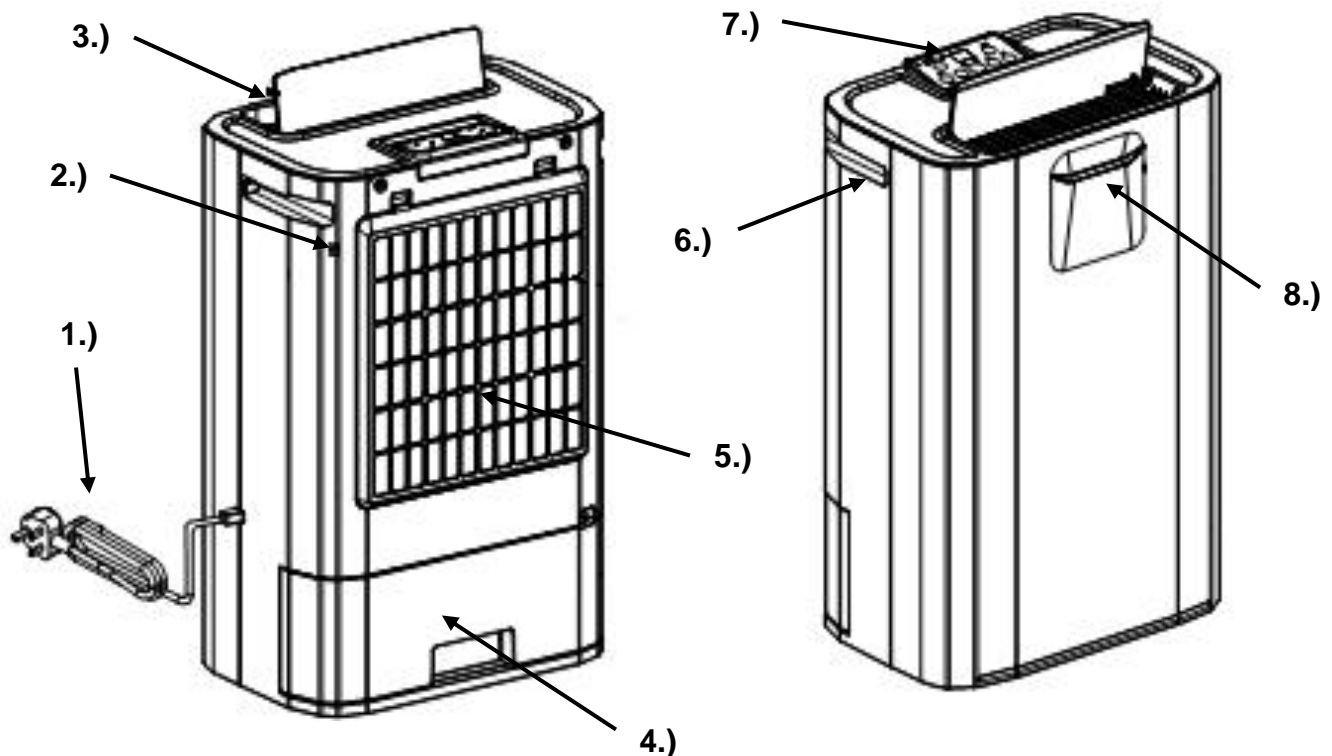
Important safety instructions:

- Supervise the dehumidifier when children are near the appliance !
- Watch out for electricity, never walk into or insert objects into the appliance !
- Do not place any objects on the dehumidifier !
- Place the dehumidifier on a stable and even surface.
- Do not block the exhaust air (lamella) of the unit and please ensure sufficient space/clearance at and around the fan !
- Please do not use this appliance in a large laundry or laundry room.
- Ensure that there is sufficient air supply to the unit, otherwise it can lead to a reduction in performance and, in the worst case, to overheating and/or fire !
- Only qualified personnel or electricians are allowed to open the unit !
- Make sure that no moisture gets to the electrics of the unit !
- Only use the recommended voltage for operating the unit !
- Make sure that the power cable is unfolded (untied) before connecting it to the socket!
- Make sure that the plug is cleanly and properly connected to the socket before using the appliance !
- Never reach near the plug or socket with wet hands !
- The condensate is not suitable for drinking !
- Please do not use multiple sockets for operating the dehumidifier !
- Do not repair defective or damaged cables on the unit yourself, you could get a severe electric shock !
- This appliance is not intended to be used by persons (including children) with reduced physical, sensory or mental capabilities, or lack of experience and/or knowledge, unless they have been given supervision or instruction concerning use of the appliance by a person responsible for their safety.
- Make sure that highly flammable substances (e.g. gases/oils etc.) are never in the vicinity of the unit !
- If you are not going to use the unit for a long time, switch it off and disconnect the mains plug !

Please switch off the unit immediately and disconnect it from the mains/power supply if anything seems to be wrong !!! In this case, please contact a specialist and do not attempt to repair the unit yourself !!!

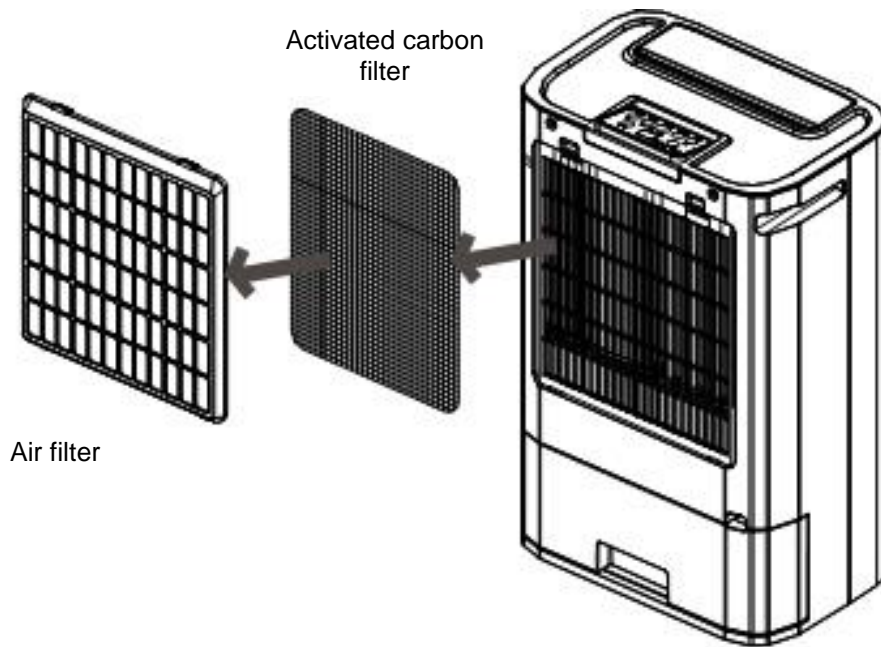
Examples: Fan does not run during operation or the fuse has blown.

Description of the unit parts:

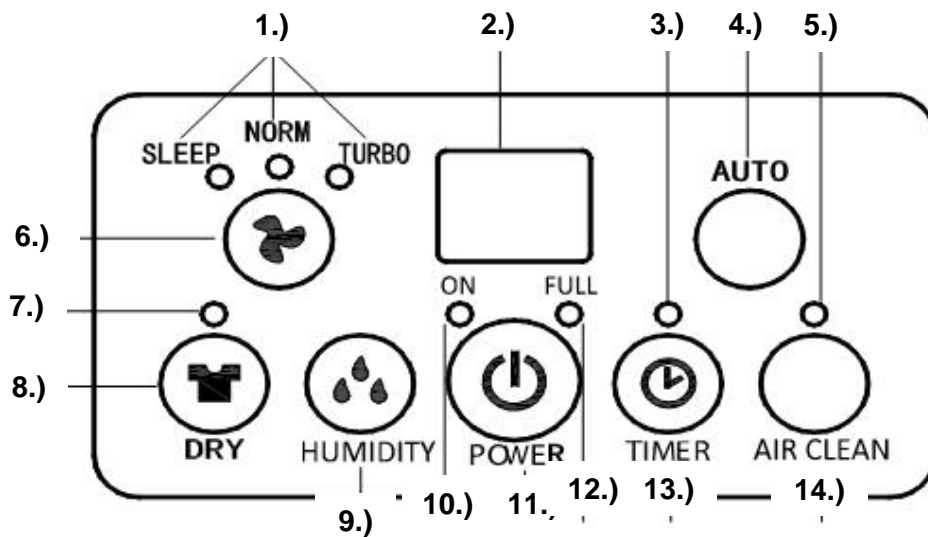


- 1.) Power cable & mains plug
- 2.) Humidity sensor
- 3.) Air outlet / air guide fin
- 4.) Condensation tank

- 5.) Air inlet & air filter
- 6.) Carrying handle
- 7.) Control panel
- 8.) Humidity LED



Functional description:



- | | |
|---|---|
| <ul style="list-style-type: none"> 1.) Signal lights of the selected air circulation strength 2.) Display screen 3.) "Timer activated" signal light 4.) Button for selecting the "Auto mode" 5.) "Air purification active" signal light 6.) Button for selecting air circulation 7.) "Turbo mode" signal light | <ul style="list-style-type: none"> 8.) DRY button for selecting the "turbo mode" 9.) Humidity button for setting the air humidity 10.) Operating light 11.) On/Off switch 12.) "Condensation tank full" signal light 13.) Timer button for setting the timer running time 14.) Button for activating air cleaning (AIR CLEAN)
Optional > HEPA filter required (see 1.5) |
|---|---|

Instructions for use:

1. Commissioning

- 1.1. Insert the mains plug properly into the socket.
- 1.2. Check that the condensation tank is properly seated in the dehumidifier. When using the dehumidifier for the first time, the "condensation tank full" light may come on. Simply pull the condensation tank out briefly and then push it back in again and you are ready to go!
- 1.3. Open the air guide vane at the air outlet of your dehumidifier and then switch the unit on with the "On/Off switch". The dehumidifier starts its operation with a target value of 50% r.l. and a weak air circulation. Now press the Humidity button to set the desired humidity. Press the Humidity button several times to set your target humidity as desired between 40% - 70% RH. The target value you have set flashes on the display for approx. 5 seconds. After that, the current room humidity is displayed again. The target value "Co" corresponds to continuous operation ! If the room humidity is below 35% when continuous operation is activated, the unit operates for approx. 15 minutes and then pauses briefly. This cycle continues until the humidity rises above 35% again.

In addition to the display, the current room humidity is also indicated by the humidity LED. The LED lights up in three different colours:

Blue	=	High humidity	> 70% r.l.
Green	=	Medium humidity	~ 50 - 70% r.l.
Red	=	Low humidity	< 50% r.l.

- 1.4. Use the air circulation selection button to choose between weak (SLEEP), normal (NORM) and strong (TURBO) air circulation.

Hint: If you operate your dehumidifier in SLEEP mode, it runs particularly quietly and with low heating power. In addition, the humidity LED does not light up in this mode.

- 1.5. Optionally, you can activate special modes:

Auto mode: If you activate the Auto mode by pressing the Auto button, the dehumidifier works independently as follows: If the measured humidity is above 70% r.l., the dehumidifier dehumidifies with normal air circulation (NORM). If the humidity is between 70-55% r.l., the dehumidifier dehumidifies with weak air circulation (SLEEP). If the room humidity reaches a value below 55% r.l., the dehumidifier pauses for 30 minutes. After the 30 minutes, the fan starts running to determine the current humidity again. If this is now above 55% r.l. again, the dehumidifier begins to run. the dehumidifier starts to dehumidify again automatically.

Note: In Auto mode, no humidity value is shown in the display. Instead, "Au" is signalled there.

Turbo mode (DRY): Activate the turbo mode by pressing the DRY button. If the turbo mode is activated, this is indicated by the "turbo mode" signal light. In this mode, the dehumidifier operates for eight hours at the preset target value of 40% and only with strong air circulation. After eight hours of operation, the unit pauses for 30 minutes. Once the 30 minutes have elapsed, the fan starts running to measure the current humidity again. If this is now above 40% again, the dehumidifier starts to dehumidify again automatically. However, if the humidity measured again is not above 40%, the dehumidifier pauses again for 30 minutes and then measures the humidity again. This rhythm is continued continuously.

Air purification mode: Press the "AIR CLEAN" button to activate air purification. In this mode, no air dehumidification takes place ! Only the fan is put into operation. You can set the strength of the air circulation as desired. For this mode, we recommend inserting a HEPA filter in the unit, which you can obtain from us as an optional accessory.

- 1.6. If you want to activate/use the timer function (function for determining the remaining time or function for specifying a start time), press the TIMER key.

Determining the remaining running time: Press the TIMER button during operation to select the desired remaining running time of the dehumidifier. (A value between 1 - 24 hours can be selected). After this selected operating time has elapsed, the unit switches off automatically.

Determining a start time: When the dehumidifier is switched off, press the TIMER button to select the desired start time. (A value between 1 - 24 hours can be selected). After this selected duration has elapsed, the unit switches on automatically (with the last used settings).

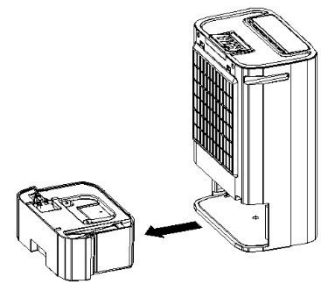
Note: When the appliance is switched off, the fan continues to run automatically for at least 2 minutes. This is to protect against overheating. Never switch off the unit by pulling the mains plug! The earliest you should do this is when the run-on time has elapsed and the unit has switched off completely!

At a room temperature of maximum 20°C, the device can also be operated with a timer. In this case, your device should not overheat. If the room temperature is above 20°C, it is not advisable to operate the unit with a timer or to dispense with the run-on time is not advisable!

- 1.7. Overload protection: The dehumidifier runs for a maximum of 8 hours at a time and then pauses for 30 minutes to prevent overloading or overheating ! After the 30-minute pause, operation restarts normally.

2. Emptying the collection tank / When the "Condensation tank full" signal LED lights up

When the condensation tank is full, the signal light (FULL) lights up and the dehumidifier then automatically stops its dehumidification operation. Carefully remove the condensation tank with both hands and empty it (preferably over a bathtub or large sink). After you have pushed the condensation tank neatly back into the unit, the dehumidification operation will restart automatically within a few seconds (max. 1 minute).



3. Connecting a hose (optional)

- 3.1. You need a 1/2 inch (diameter 12 - 13 mm) plastic hose.
3.2. The connection point for the drain hose is located on the right rear of the dehumidifier. (normal water drain above the condensation tank).
3.3. Remove the condensation tank.
3.4. Guide the appropriate hose onto the water drainage tap and make sure that the hose is firmly seated.
3.5. Now push the water tank back into its normal position. Make sure that the hose is routed through the small opening provided for it on the right above the condensation tank and that everything is properly seated and that no water can leak out at the connections (see fig. 1).
3.6. Proper drainage of the condensation water when connecting the hose ! Make sure that the hose always has a slight slope (see fig. 2 and fig. 3).
3.7. At cold operating temperatures, it is not advisable to connect a hose, as the condensate may freeze in the hose and thus cause a blockage !

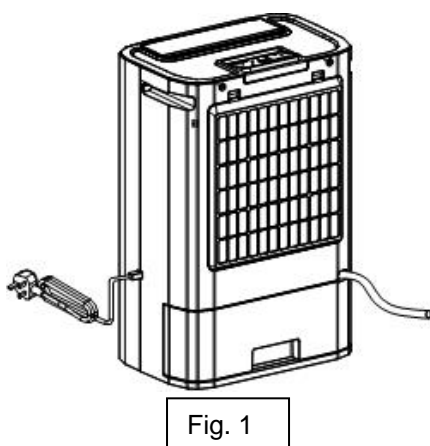


Fig. 1

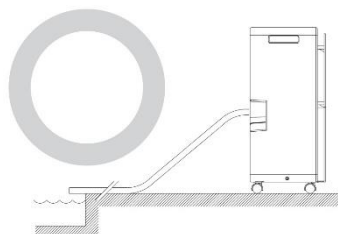


Fig. 2

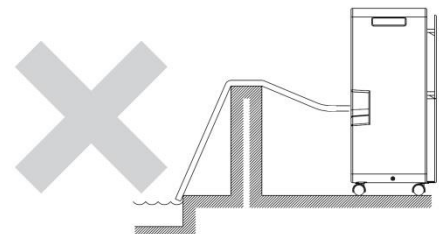
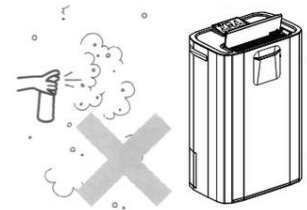
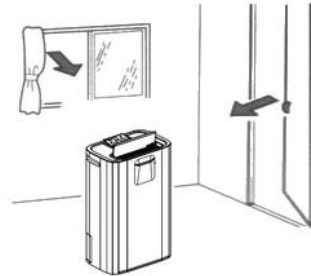
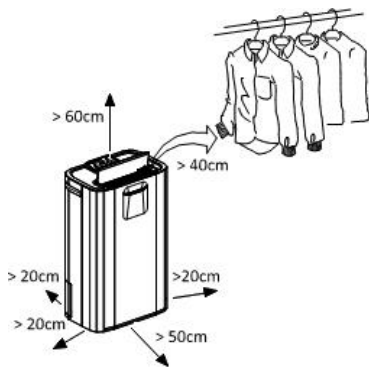
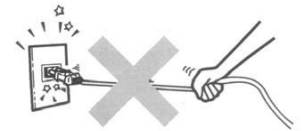


Fig. 3

4. Other operating instructions

- 4.1. Do not disconnect the mains plug by pulling on the power cable !
- 4.2. Do not use insect, oil or paint spray etc. near the dehumidifier. This may cause damage to the unit or even fire !
- 4.3. Do not place the appliance on sloping or uneven ground !
- 4.4. Please always keep a distance of approx. 20 cm to the wall to avoid possible overheating of the appliance. Furthermore, please also ensure a distance of approx. 60 cm upwards when drying laundry !
- 4.5. For effective and economical dehumidification operation, please close all doors and windows in the dehumidifier room !
- 4.6. Always hold and transport the unit in its proper and upright position !
- 4.7. Do not insert any objects into the appliance. This is dangerous !



5. Cleaning

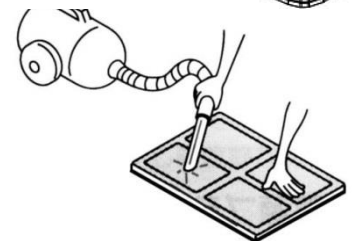
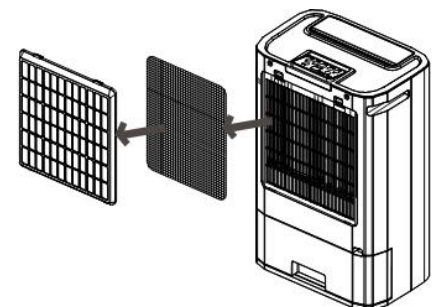
5.1. Cleaning the housing

- Please unplug the dehumidifier from the mains before cleaning.
- Only use mild cleaning agents to clean your dehumidifier.
- NEVER spray your dehumidifier (e.g. with water or similar).

5.2. Cleaning the air filter (pre-filter)

The air filter (pre-filter) filters lint, hair and coarse dust, ensuring that less dust is deposited in the unit. This ensures higher efficiency. The additional activated carbon filter reduces odours.

- Clean the filters whenever it can be assumed that the air intake is reduced by the dirty air filters !
- Grasp the two notches at the top of the air filter and then carefully pull it forwards so that the air filter can be easily removed from the dehumidifier.
- It is best to clean the air filter carefully under lukewarm water or with a low-setting (suction power) Hoover.
- The activated carbon filter should at most be vacuumed briefly, but not cleaned with water !
- Put the cleaned air filters back into the holder in reverse order - DONE.



5.3. Changing the HEPA filter (optional accessory)

If you also operate the dehumidifier with an optional HEPA filter as an air cleaner (AIR CLEAN MODE), always change the HEPA filter when it is dirty. You can see this by removing the air filter (pre-filter). If the previously snow-white HEPA filter is now dark brown, black or smeary yellow, the HEPA filter should be changed.

Technical data:

Model designation:	WDH-DS3
Voltage:	220-240V / 50Hz
Maximum power consumption:	730 W
Dehumidification capacity (optimal):	10 ltr. /day (35°C / 90% r.h.)
Dehumidification capacity (standard):	9.5 ltr. /day (30°C / 80% r.h.)
Condensation tank:	Approx. 5 litres
Dimension (H/W/D):	515 x 360 x 240 mm
Weight:	7,5 kg
Range of use:	1°C ~ 20°C

Troubleshooting:

The unit does not dehumidify enough / Too little water collects in the condensation tank

Please remember that the primary aim is not to gain as much condensation water as possible, but to dry and/or keep dry the room air or ceilings, walls and inventory !

Furthermore, bear in mind that the dehumidifier can only remove moisture from the air and only indirectly from materials. Depending on the condition of the ceilings, walls and fixtures, it can take several weeks before they release the stored moisture back into the air! For this reason, we also recommend that if you use your own humidity meter (hygrometer), you place it as freely as possible and somewhat away from walls and ceilings, because otherwise the determined humidity value of the room air will be falsified !

As with all dehumidifiers, the dehumidification performance is decisively influenced by the following factors:

A) humidity content of the room air and B) heat/temperature in the room.

Error codes / display indication

The dehumidifier is equipped with an additional self-diagnosis function. This means that the dehumidifier detects certain errors / defects itself and shows an error code independently on the display.

E1, E2 or E4:	Short-circuit on one of the temperature sensors (In this case please contact with your specialist dealer).
E5:	The unit has been tilted too much or is standing too unevenly.
E6 or E7:	Overheating (at the output) of the heating element

Despite the hose connection, most of the water runs into the condensation tank

Check that the condensation hose has a slope and is neither kinked nor blocked. Also check that the dehumidifier is standing straight.

Other

Warranty statement:

Notwithstanding the statutory warranty claims, the manufacturer grants a warranty in accordance with the laws of your country, but at least 1 year (in Germany 2 years for private individuals). The warranty begins on the date of sale of the appliance to the end user.

The warranty only covers defects that are due to material or manufacturing faults.

are.

Warranty repairs may only be carried out by an authorised customer service. To

To make your warranty claim, please enclose the original sales receipt (with date of sale).

Excluded from the guarantee are:

- Normal wear
- Improper applications, such as overloading the appliance or non-approved accessories.
- Damage due to external influences, use of force or foreign objects
- Damage caused by non-observance of the operating instructions, e.g. connection to the wrong mains voltage or non-observance of the installation instructions.
- Completely or partially dismantled units

Conformity:

The dehumidifier has been tested and itself and/or parts thereof have been manufactured under the following (safety) standards:

Intertek "GS" tested, and of course with CE conformity and EMC conformity.

Tested safety according to: EN 60335-2-40:2003+A11:2004+A12:2005+A1:2006+A2:2009+A13:2012
EN 60335-1:2012+A11:2014+A13:2017+A1:2019+A2:2019+A14:2019
EN 62233:2008
AfPS GS 2019:01 PAK

CE (LVD) Conformity tested according to: EN 60335-2-40:2003+A11:2004+A12:2005+A1:2006+A2:2009+A13:2012
EN 60335-1:2012+A11:2014+A13:2017+A1:2019+A14:2019+A2:2019
EN 62233:2008

EMC conformity tested according to: EN 55014-1:2017+A11:2020
EN 55014-2:2015
EN IEC 61000-3-2:2019
EN 61000-3-3:2013+A1:2019

Correct disposal of this product:



Within the EU, this symbol indicates that this product should not be disposed of with household waste. Waste equipment contains valuable recyclable materials that should be recycled and not harm the environment or human health through uncontrolled waste disposal. Therefore, please dispose of old appliances via suitable collection systems or send the appliance for disposal to the place where you purchased it. They will then recycle the appliance.



I wish you much pleasure with this appliance.

Your Aktobis AG

Keep these instructions for use in a safe place !